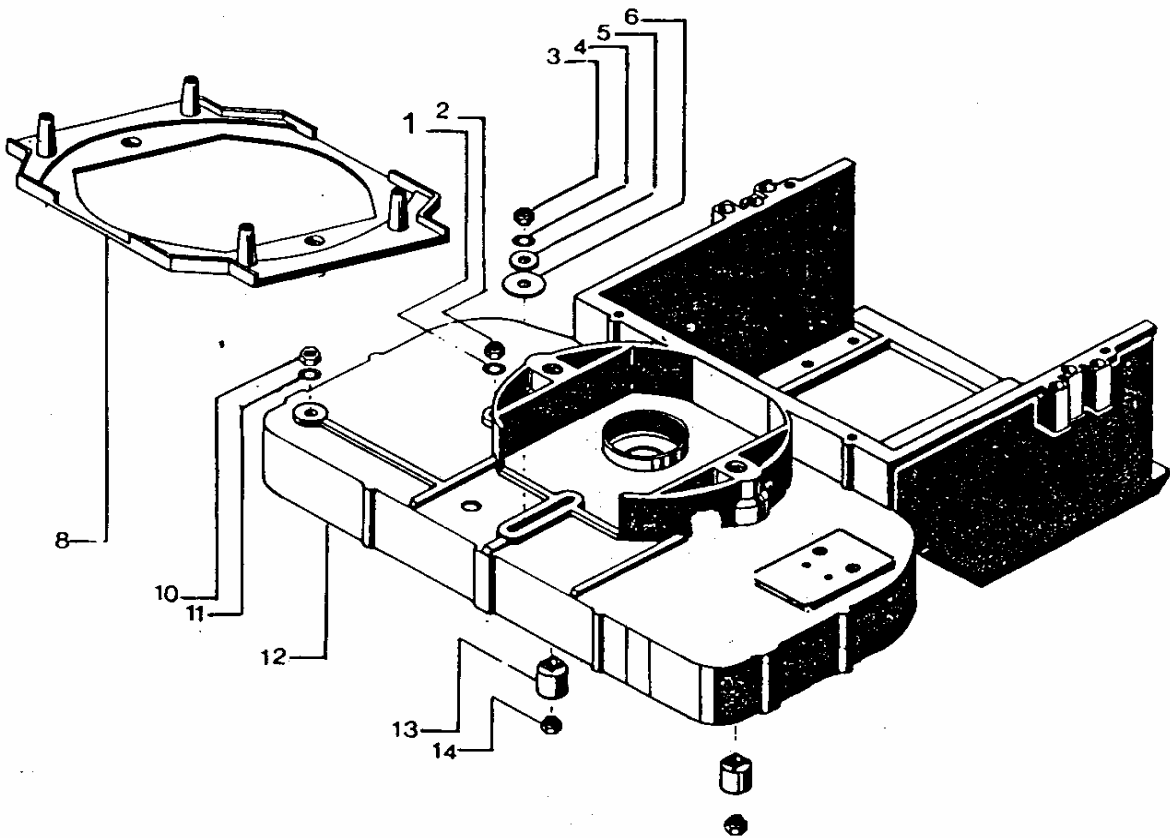


<b>TAB 1 PARTS DETAILS</b>
----------------------------

<b>POS</b>	<b>CODE</b>	<b>DESCRIPTION</b>	<b>QUANTITY REQ.</b>
1	TU8243	Lock washer M6	2
2	TU8306	Nut M6 8 G	2
3	TU8306	Nut M6 8 G	1
4	TU8243	Lock washer M6	1
5	TU8283	Washer M6 16x6.3x2	1
6	TU8263	Washer 22x6.3x1.5	2
8	TU8047	Motor mounting plate	1
10	TU8306	Nut M6	1
11	TU8243	Lock washer M6	1
12	TU8000	Base casting	1
13	MT7051	Nylon spacer bush	2
14	MT7109B	Nylock nut M6	2

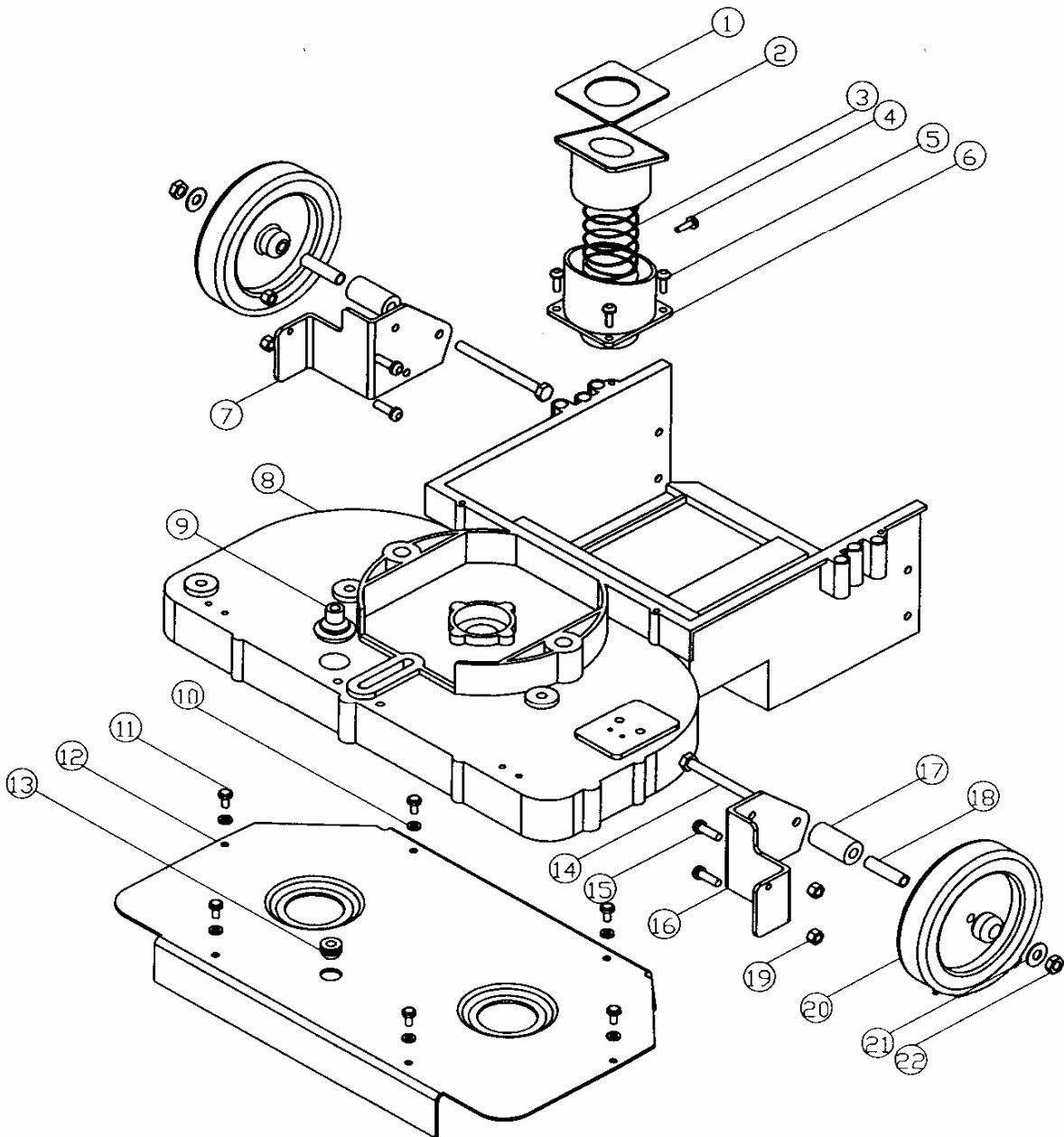
TAB 1 DIAGRAM



**TAB 2 PARTS DETAILS**

<b>POS</b>	<b>CODE</b>	<b>DESCRIPTION</b>	<b>QUANTITY REQ.</b>
1	TU8052	Rubber gasket	1
2	TU8019	Upper hose	1
3	TU8053	stainless steel spring	1
4	MT7125	Screw 3.5 x 9.5	1
5	TU8300	Screw 4 x 10	4
6	TU8018	Fixed connection hose	1
7	TT9001SX	Left wheel bracket	1
8	TU8000	Base casting	1
9	ST4050	Rubber sleeve	1
10	TU8238	Lock washer M4	6
11	TU8264	Stainless steel screw 4x16	6
12	TU8044/1SS	Stainless steel casing	1
13	ST4049	Rubber sleeve	1
14	TT9022	Screw 6 x 70	2
15	TU8295	S.S. screw 5 x 12	4
16	TT9001DX	Right wheel bracket	1
17	TT9004	Wheel spacer	2
18	TT9005	Wheel tube	2
19	TU8216B	Stainless Steel nylock nut M5	4
20	TT9006	Wheel diam. 100	2
21	TU8283	Washer M16x6.3x2	2
22	MT7109B	Nylock nut M6	2

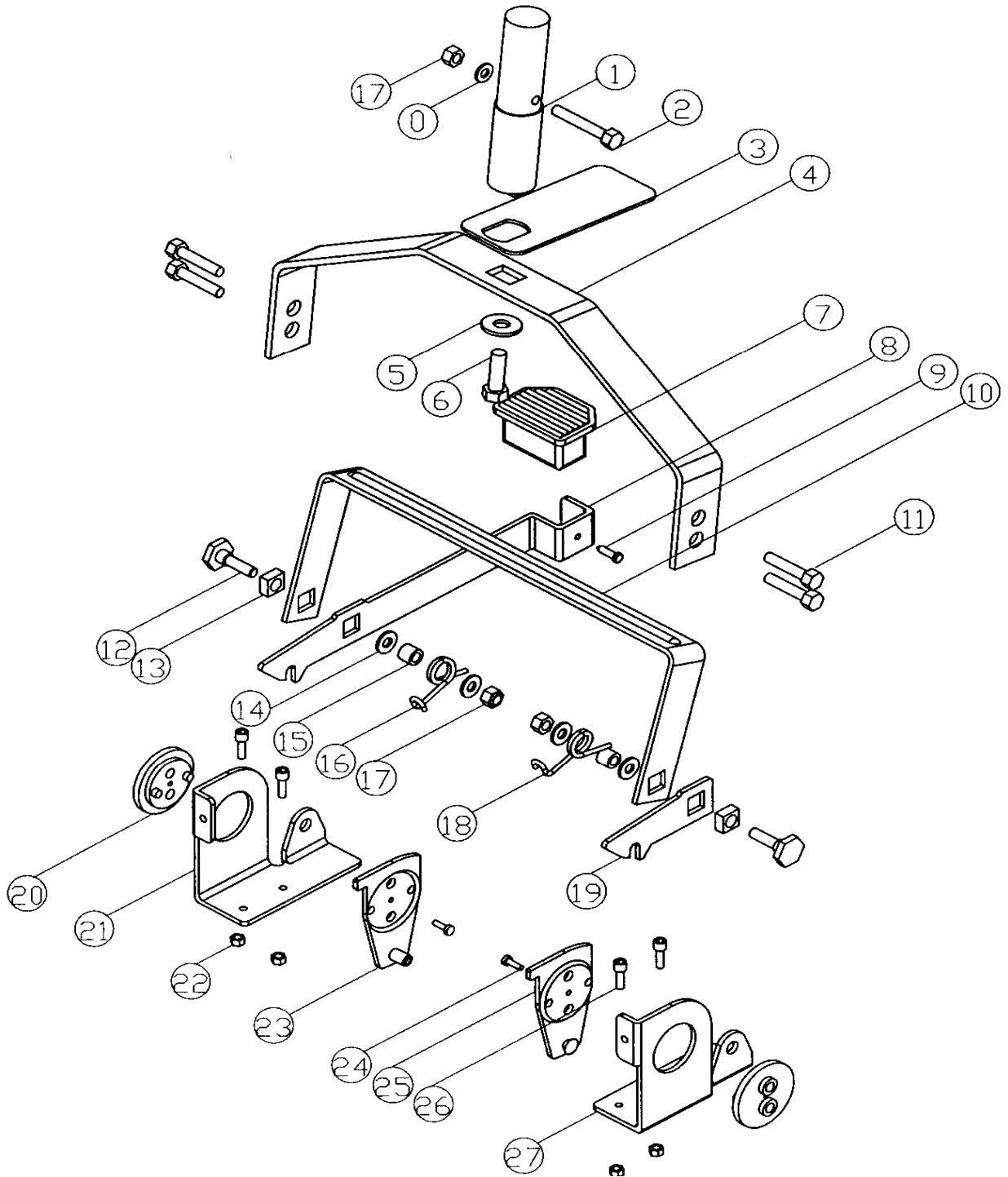
TAB 2 DIAGRAM



**TAB 3 PARTS DETAILS**

<b>POS</b>	<b>CODE</b>	<b>DESCRIPTION</b>	<b>QUANTITY REQ.</b>
0	TT9024	Washer 12x6.5x1.5	1
1	TT9002	Handle connection	1
2	TT9025	Screw 6 x 40	1
3	TT9021	Strip	1
4	TT9003	Handle bracket	1
5	T2M5151	Washer 24x 8x2	1
6	T2M5152	Nut M8 x 20	1
7	TU8321	Nylon pedal	1
8	ST4025	Handgrip lever	1
9	MT7045	Rivet 3.2 x 12	1
10	ST4024	Strap for pedal lever	1
11	TU8237	Screw 6 x 20 8.8 Din 6921	4
12	MT7049	Shoulder bolt	2
13	MT7093	Mounting block	2
14	TU8308	Washer C67 6.3x20x1	4
15	MT7050	Spacer for pedal spring	2
16	MT7097DS	Right spring for pedal lever	1
17	MT7109B	Nylock nut M6	3
18	MT7097SIN	Left spring for pedal lever	1
19	MT7085	Lock lever left side	1
20	ST4010	Spacer	2
21	ST4027	Right angle bracket	1
22	MT7109	Nylock nutM4 DIN 985 A304	4
23	MT7096	Right plate for pivot	1
24	TU8340	Screw 3 x 8	2
25	MT7105	Left plate for pivot	1
26	TU8342	Screw 4 x 16	4
27	ST4026	Left angle bracket	1

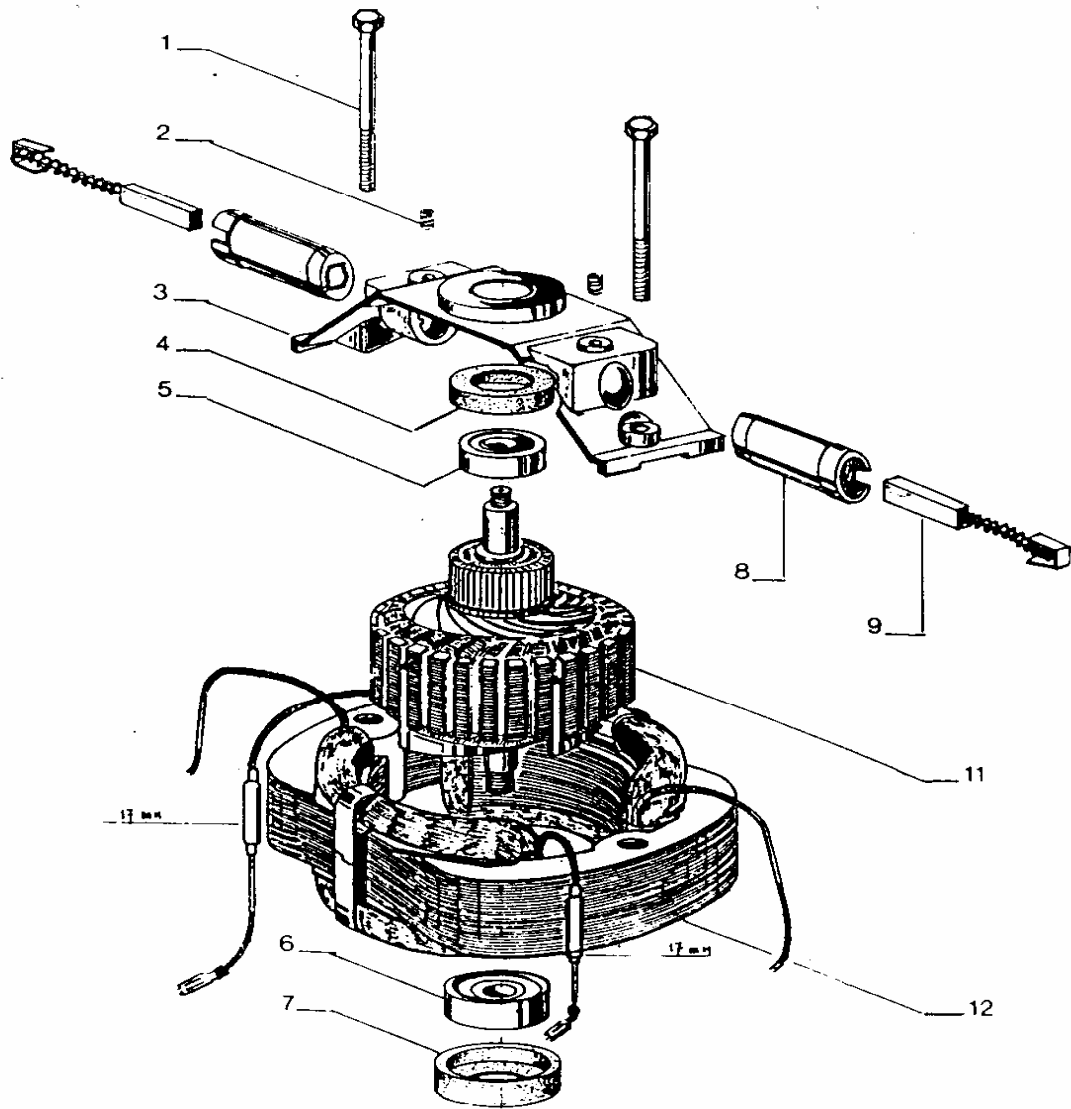
**TAB 3 DIAGRAM**



<b>TAB 4 PARTS DETAILS</b>
----------------------------

<b>POS</b>	<b>CODE</b>	<b>DESCRIPTION</b>	<b>QUANTITY REQ.</b>
1	TU8242	Hex bolt TE. 8.8 UNI 5737 6 x 65	2
2	TU8205	Grub screw M4 x 6 with drill	2
3	TU8039	Motor bracket	1
4	TU8247	Bearing seal Ø 26	1
5	TU82452RS	Waterproof bearing 26 2RS	1
6	TU82462RS	Waterproof bearing 30 2RS	1
7	TU8248	Bearing seal Ø 30	1
8	TU8039USA	Brush holder U.S.A.	2
9	TU8039R92	Carbon brush 100/110V	2
11	TUAP100RO	Rotor 110 volts	1
12	TUAPMTST	Stator 110 volts	1

TAB 4 DIAGRAM

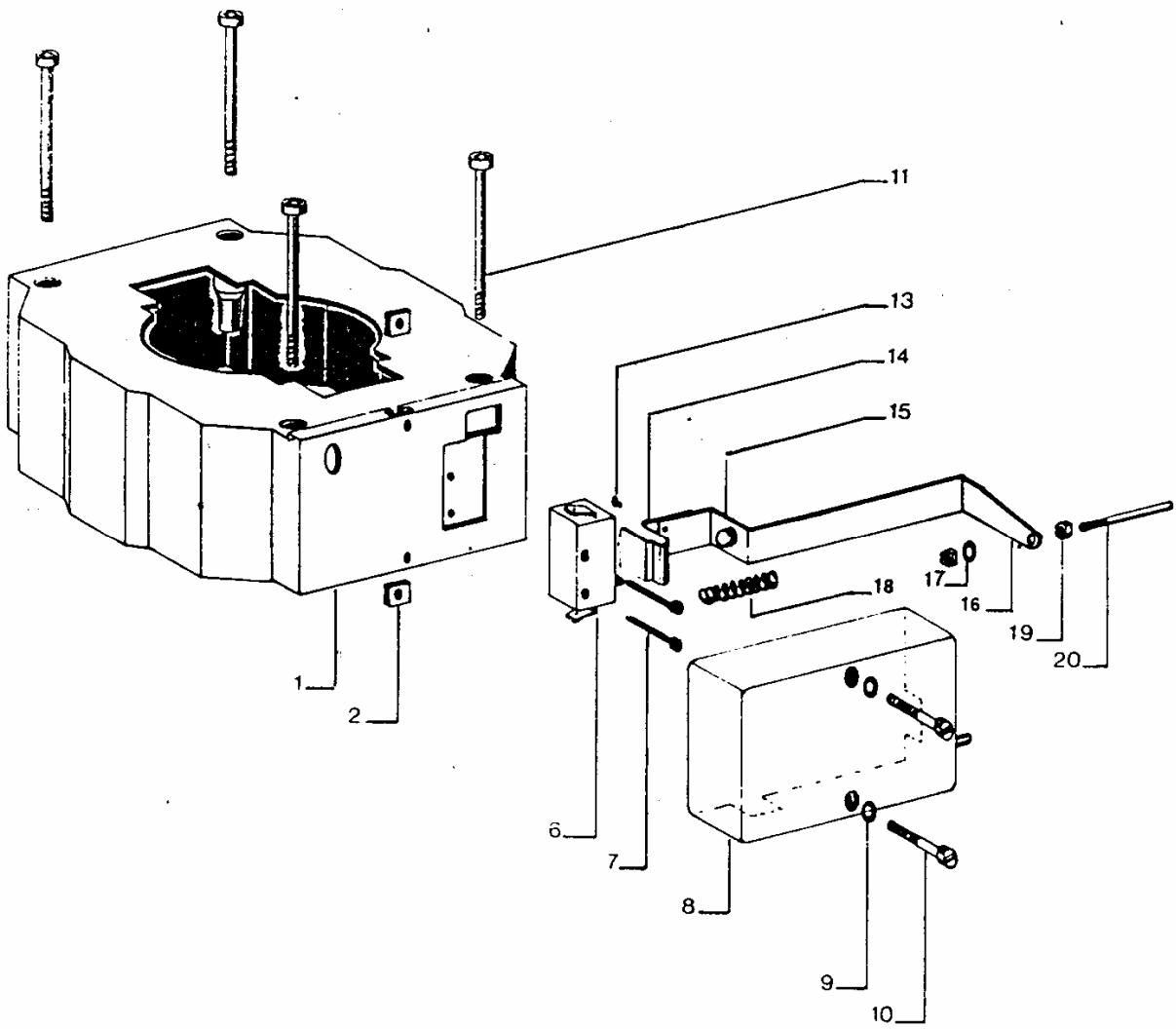




**TAB 5 PARTS DETAILS**

<b>POS</b>	<b>CODE</b>	<b>DESCRIPTION</b>	<b>QUANTITY REQ.</b>
1	TU8028	Motor cover	1
2	TU8106	Fixing plate 4 x 10	2
6	TU8226	Micro switch	2
7	TU8293	Screw TC 2,9 X 32	2
8	TU8027	Electrical connection cover	1
9	TU8238	Lock washer M4	2
10	TU8301	Screw T.C. 4 x 30	2
11	TU8261	Screw T.C. 4.2 x 32	4
13↔16	TU6142A	Rod lever + spring assy.	1
17	TU8238	Lock washer M4	1
18	TU8050	Pressure spring for switch	1
19	TU8239	Nut M4	2
20	MT7233	Adjusting rod	1

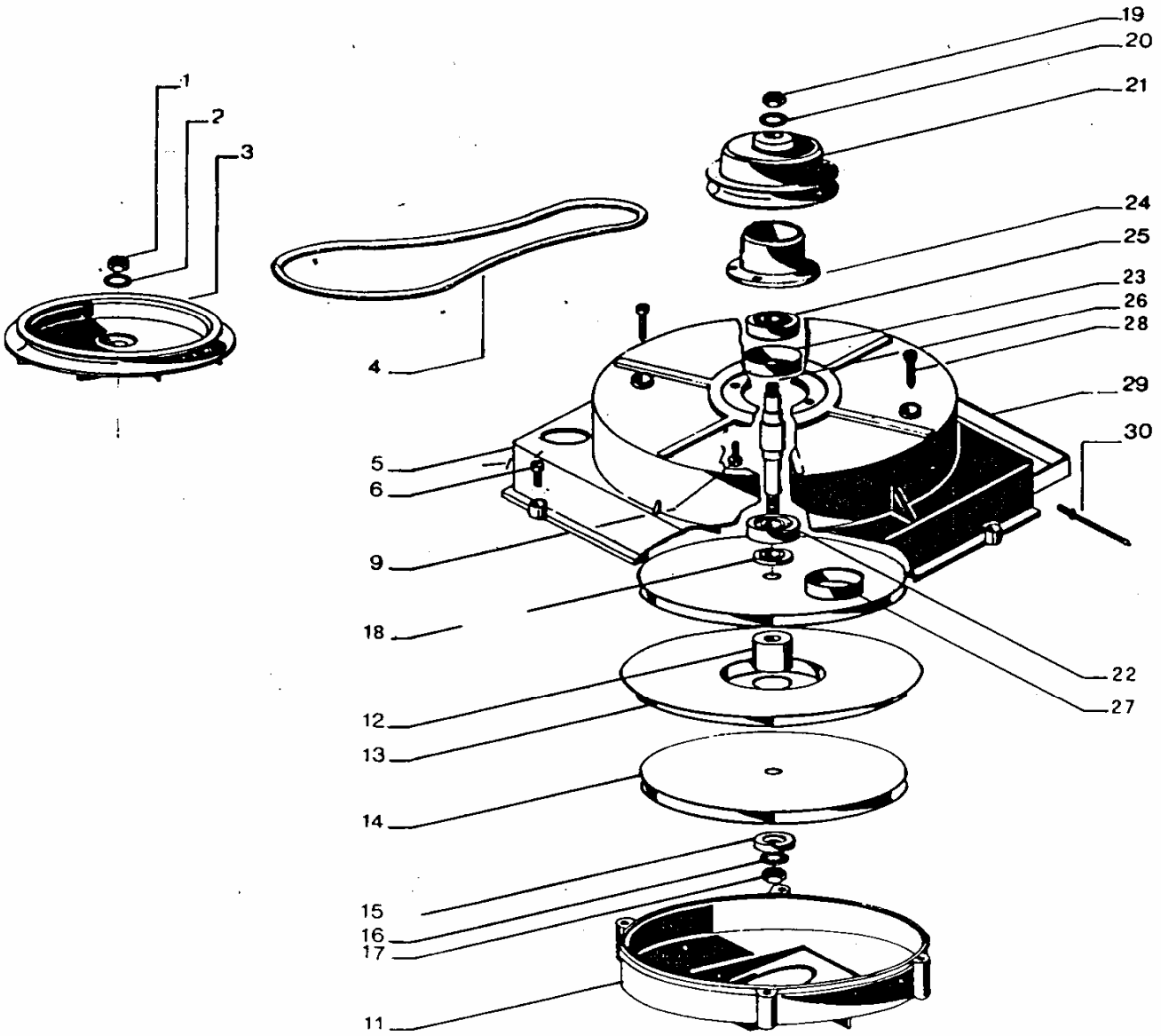
TAB 5 DIAGRAM



**TAB 6 PARTS DETAILS**

POS	CODE	DESCRIPTION	QUANTITY REQ.
1	TU8254	Thread nut M6	1
2	TU8243	Lock washer M6	1
3	TU8020	Motor drive pulley	1
4	TU8253	Fan drive belt	1
5	TU8001	Housing	1
6	TU8307	Screw 4 x 12	4
9	TU8262	Screw 4 x 8	4
11	TU8002	Plastic fan cover	1
12	TU8011	Spacer sleeve	1
13	TU8003F	Static vacuum fan	1
14	TU8003M	Rotating vacuum fan	2
15	TU8012	Space washer	1
16	TU8243INOX	Lock washer M6	1
17	TU8306	Nut M6 8 G	1
18	TU8006	Spacer	1
19	TU8306	Nut M6 8 G	1
20	TU8243	Lock washer M6	1
21	MT7110	Drive pulley	1
28	TU8261	Screw 4.2 x 32	4
29	ST4033	Hold strap	1
30	MT7205	Rivet cu/ni mm. 3.8 x 14	2
5 ↔ 30	ST7530	Vacuum system assembled	1
12 ↔ 27	MT7733	Pulley + fan unit assembled	1
22 ↔ 27	MT774	Pulley unit assembled	1

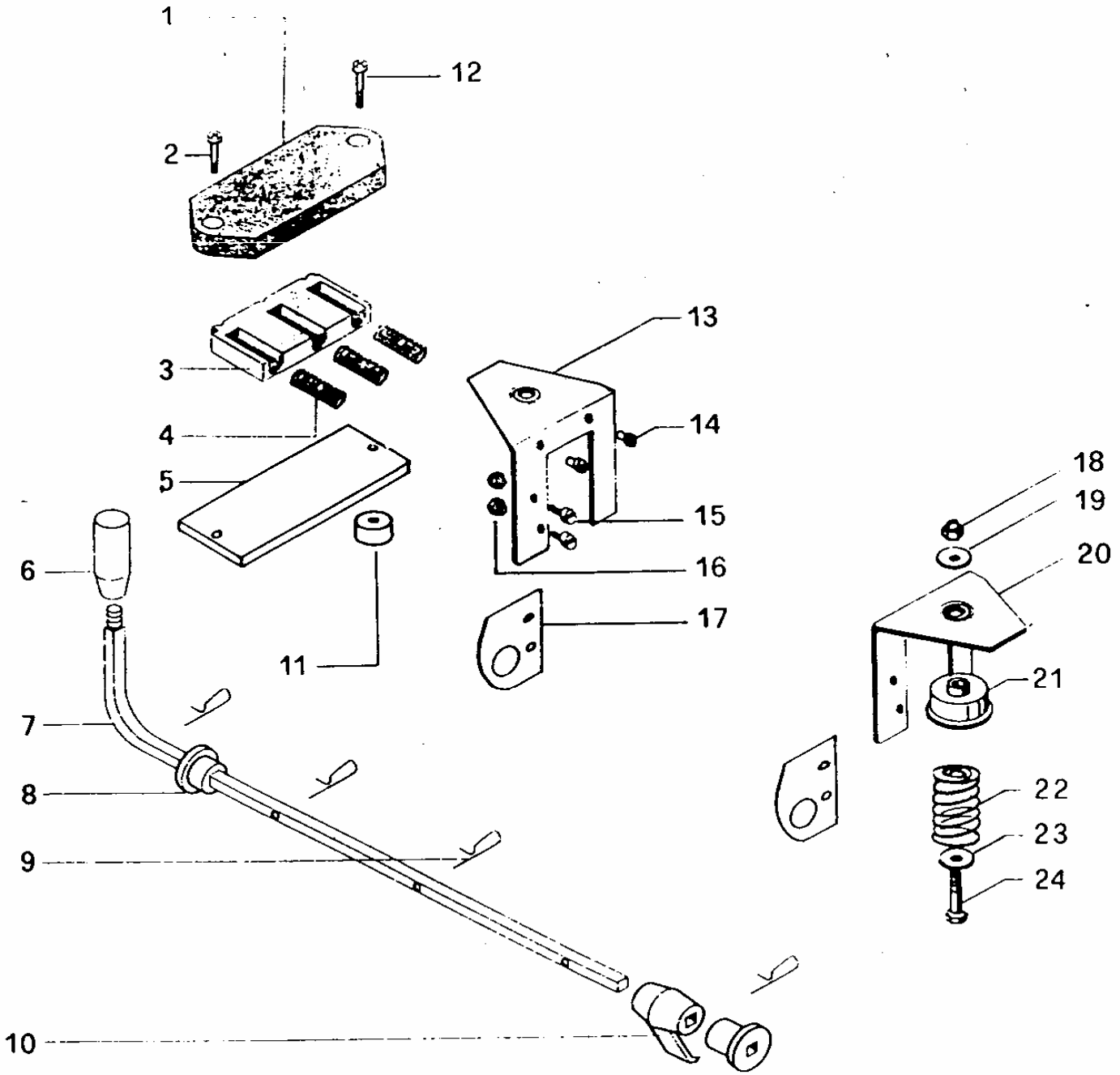
TAB 6 DIAGRAM



<b>TAB 7 PARTS DETAILS</b>
----------------------------

POS	CODE	DESCRIPTION	QUANTITY REQ.
1	T2M5059	Plate	1
2	T2M5169	Screw M4 x 20	1
3	T2M5058	Spring holder	1
4	T2M5174	Spring	3
5 + 11	TU8496	Plate + bush	1
6	T2M5036	Knob for squeegee leverage	1
7	TT9011	Shaft	1
8	T2M5031	Bush	2
9	T2M5081	Spring clip for squeegee lever	4
10	T2M5072	Nylon cam	1
12	T2M5157	Screw	1
13	TU8500D	Right guide	1
14	TU8296	Screw 4 x 8	4
15	TU8305	Stainless steel screw 4x10 TCC	4
16	MT7109	Nylock nut M4 DIN 985 AR	4
17	TU8499	Angle Plate	2
18	MT7109	Nylock nut M4 DIN 985 AR	2
19	TU8281	Washer 15x5.2x1.5	1
20	TU8501S	Left guide for squeegee	1
21	TU8081	Spring holder for squeegee	2
22	TU8082	Pressure spring	2
23	TU8281	Washer 15x5.2x1.5	2
24	MT7029	Screw M4 x 16	2

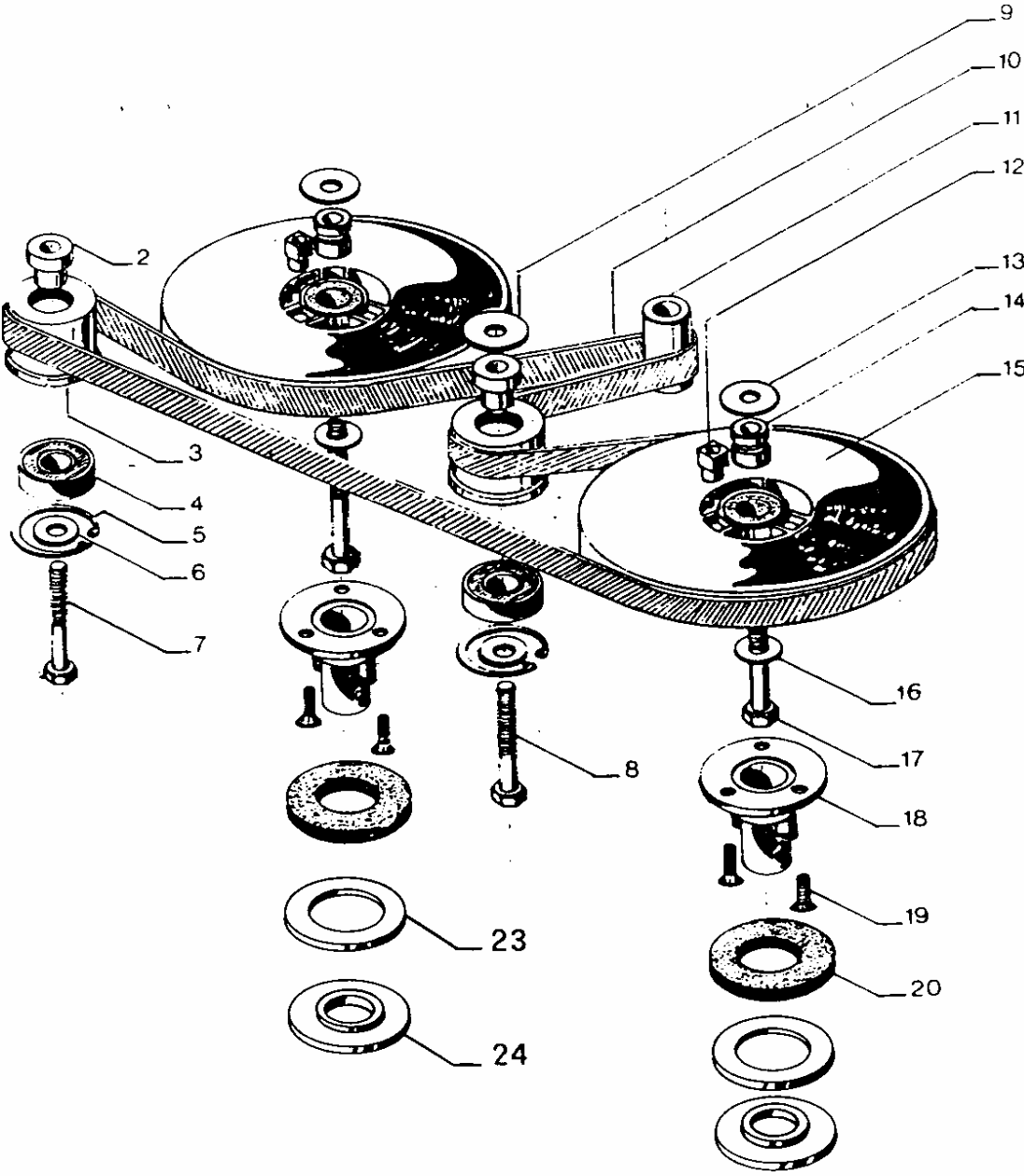
TAB 7 DIAGRAM



<b>TAB 8 PARTS DETAILS</b>
----------------------------

POS	CODE	DESCRIPTION	QUANTITY REQ.
2	TU8014	Not available as single part	
3	TU8015	Not available as single part	
4	TU82452RS	Not available as single part	
5	TU8250	Circlip 26	2
6	TU8283	Lock washer M16x6.3x2	2
7	TU8260	Hex bolt M6 x 40	1
8	TU8260	Hex bolt M6 x 40	1
9	TU8263	Washer 22x6.3x1.5	1
10	TU8209/17	Drive belt 1020 x 17	1
11	TU8092	Motor drive pulley	1
13	TU8263	Washer 22x6.3x1.5	2
16	TU8267	Washer C67 6.3x16x1	2
17	TU8260	Hex bolt M6 x 40	2
18	MT1822	Brush holder	2
19	TU8299	Screw M4 x 16	6
20	TU8210/1	Felt washer 1 mm.	2
23	TU8503	Plastic ring for casing	2
24	TU8525	Rubber seal ring for casing	2
2 ↔ 5	MT917	Belt guide pulley assy.	2
12 ↔ 19	TU91319	Belt drive pulley assy+brush holder	2

TAB 8 DIAGRAM

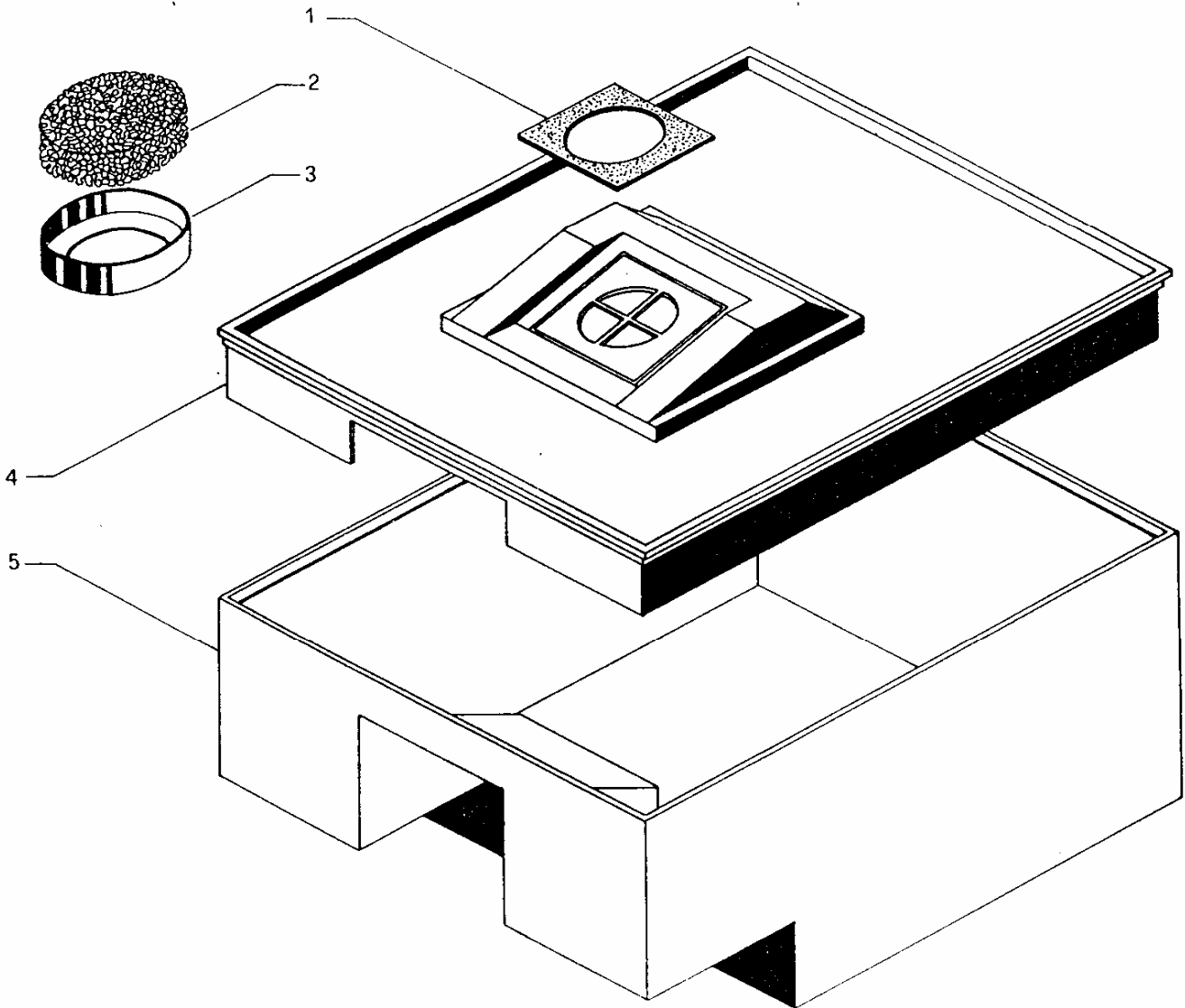




<b>TAB 9 PARTS DETAILS</b>
----------------------------

<b>POS</b>	<b>CODE</b>	<b>DESCRIPTION</b>	<b>QUANTITY REQ.</b>
1	TU8052	Rubber gasket	1
2	MT7121	Filter for waste water tank	1
3	MT7120	Filter holder	1
4	n.a.	not available as single part	1
5	n.a.	not available as single part	1
1 ↔ 5	MT1119	Complete waste tank	1

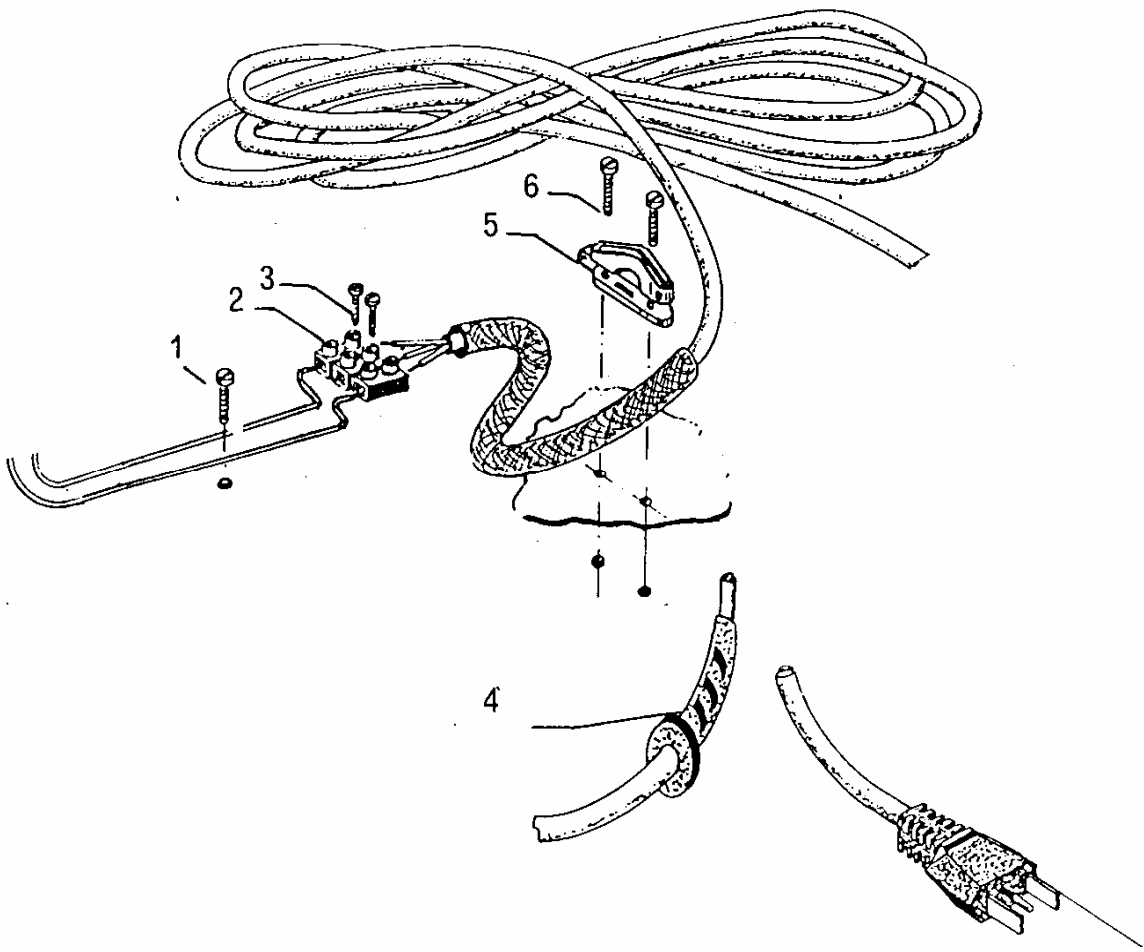
TAB 9    DIAGRAM



<b>TAB 10 PARTS DETAILS</b>
-----------------------------

<b>POS</b>	<b>CODE</b>	<b>DESCRIPTION</b>	<b>QUANTITY REQ</b>
1	TU8296	Screw 4 x 8	1
2	TU8330	Terminal Box	1
3	TU8276	Self tapping screw 2.9 x 19	2
4	MT7212	Cord sleeve	1
5	MT7224	Cable clamp	1
6	TU8316	Screw M3 x 20	2
9	TU8252.12U	Electric cable USA	1

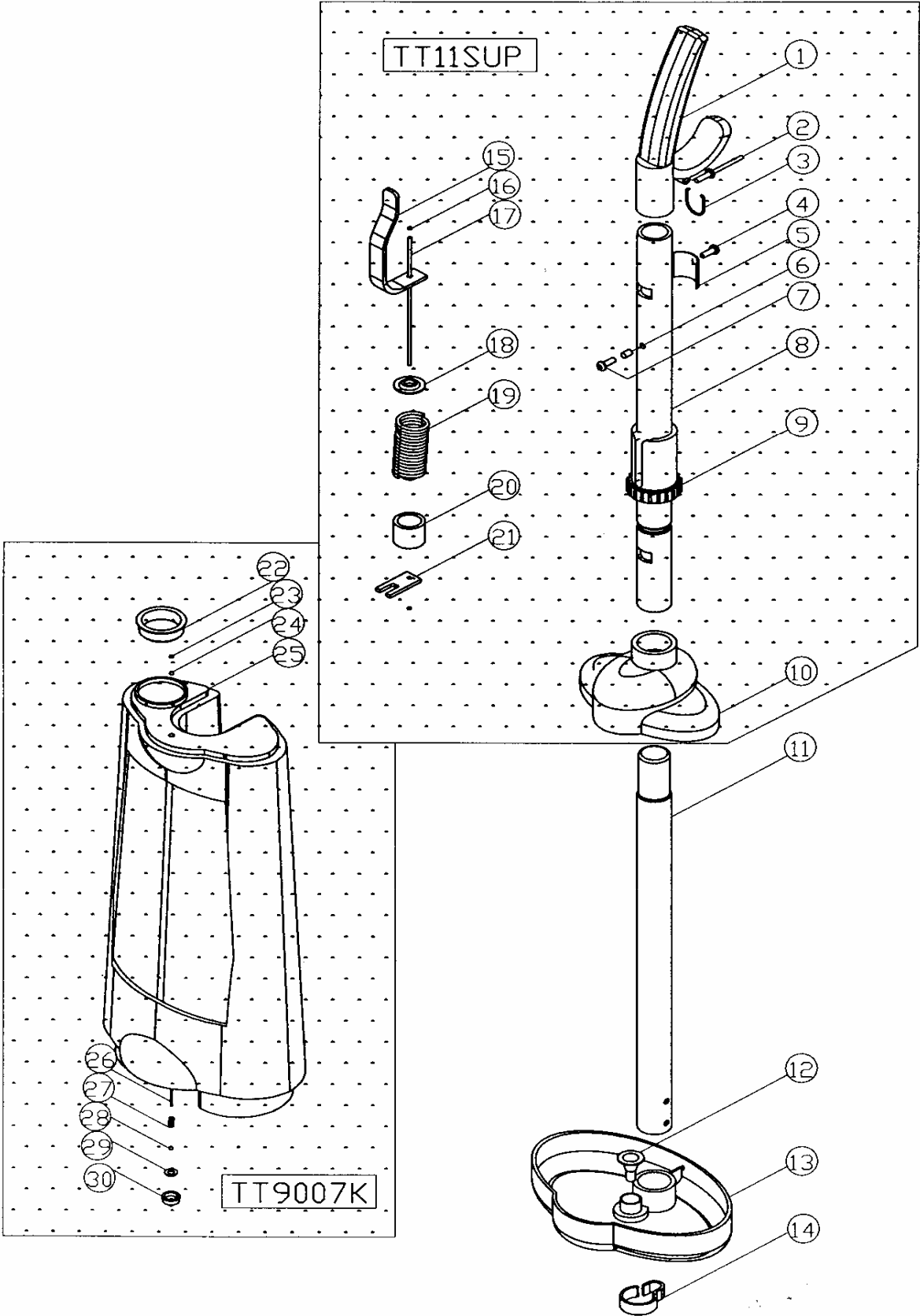
TAB 10 DIAGRAM



<b>TAB 11 PARTS DETAILS</b>
-----------------------------

POS	CODE	DESCRIPTION	QUANTITY REQ.
1	TT9010	Handle	1
2	TU8222	Rivet 4.8 x 10	1
3	TU8515	Hook	1
4	TU8268	Screw 4.2 x 9.5	1
5	TU8023	Clamp	1
6	TU8211	Bush for handle	1
7	TU8274	Self tapping screw 2.9 x 16	1
9	TU8105	Not available as single part	1
11	TU8077/I	Lower handle tube	1
12 + 13	TT9009	Lower tank holder	1
14	T2M5091	Wire clip	1
22	TU8265	Tank cap	1
23	TU8236	S.S. nut M3	3
24	TU8097	Valve seal	2
25	TT9007	Clean water tank	1
26	TT9012	Water flow control rod	1
27	TU8095	Spring for rod	1
28	TU8097	Valve seal	1
29	TU8096	Seal ring	1
30	TU8094	Valve outlet	1
	TT11SUP	Upper handle complete	
22 ↔ 30	TT9007K	Clean water tank complete	

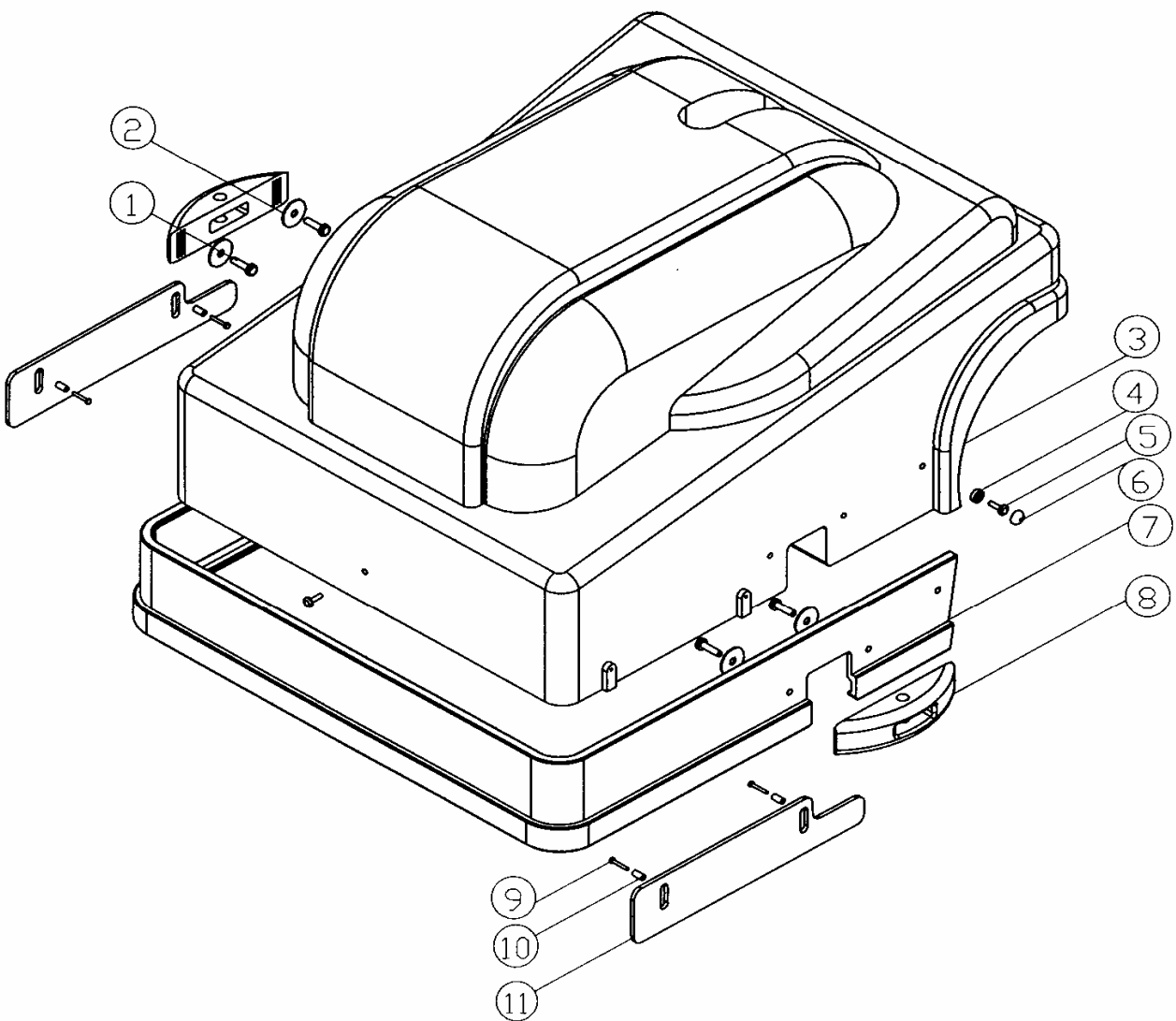
TAB 11 DIAGRAM



<b>TAB 12 PARTS DETAILS</b>
-----------------------------

<b>POS</b>	<b>CODE</b>	<b>DESCRIPTION</b>	<b>QUANTITY REQ.</b>
1	TU8294	Screw UNI 6954 4.2 x 16	4
2	TU8257	Washer 20x5.1x1 for side w	4
3	TT9000	Cover for TL Facile	1
4	TT9014	Washer	2
5	TU8307	Screw 4 x12	3
6	TT9015	Cap	2
7	TT9013	Rubber guard	1
8	TU8320	Side wheel protector assy.	2
9	TT9018	Screw 3.5 x 16	4
10	TT9019	6 x 6 x 8 Tube	4
11	TT9021	Strip	2

TAB 12 DIAGRAM





<b>TAB 13</b>	<b>PARTS DETAILS</b>
---------------	----------------------

<b>POS</b>	<b>CODE</b>	<b>DESCRIPTION</b>	<b>QUANTITY REQ.</b>
1+2	TU1714PU	Polyurethane blade assembly	1
3	TU8531	Screw M3 x 33	4
4	TU8516	Nylock nut M3	4
5	TU8046	Seal ring	1
6	n.a.	not available as single part	1
1↔ 6	TU1700PU	Polyurethane squeegee complete	1

TAB 13 DIAGRAM

